


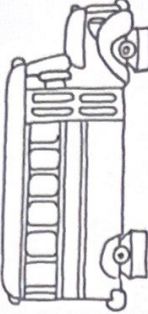



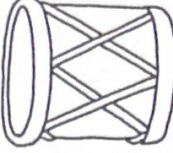

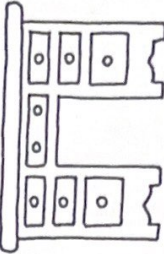




Name: _____

b 	d 

Parents: Your child cut out and glued pictures whose names begin with *b* under the balloon and glued pictures whose names begin with *d* under the dog. Next, your child wrote *b* or *d* next to each picture. Then your child cut out and glued the letters *b* and *d* on a sheet of paper and drew pictures whose names begin with each letter.

Name _____



Ring each penny.
Next, mark ✓ on each nickel.
Then, mark X on each dime.

Name _____

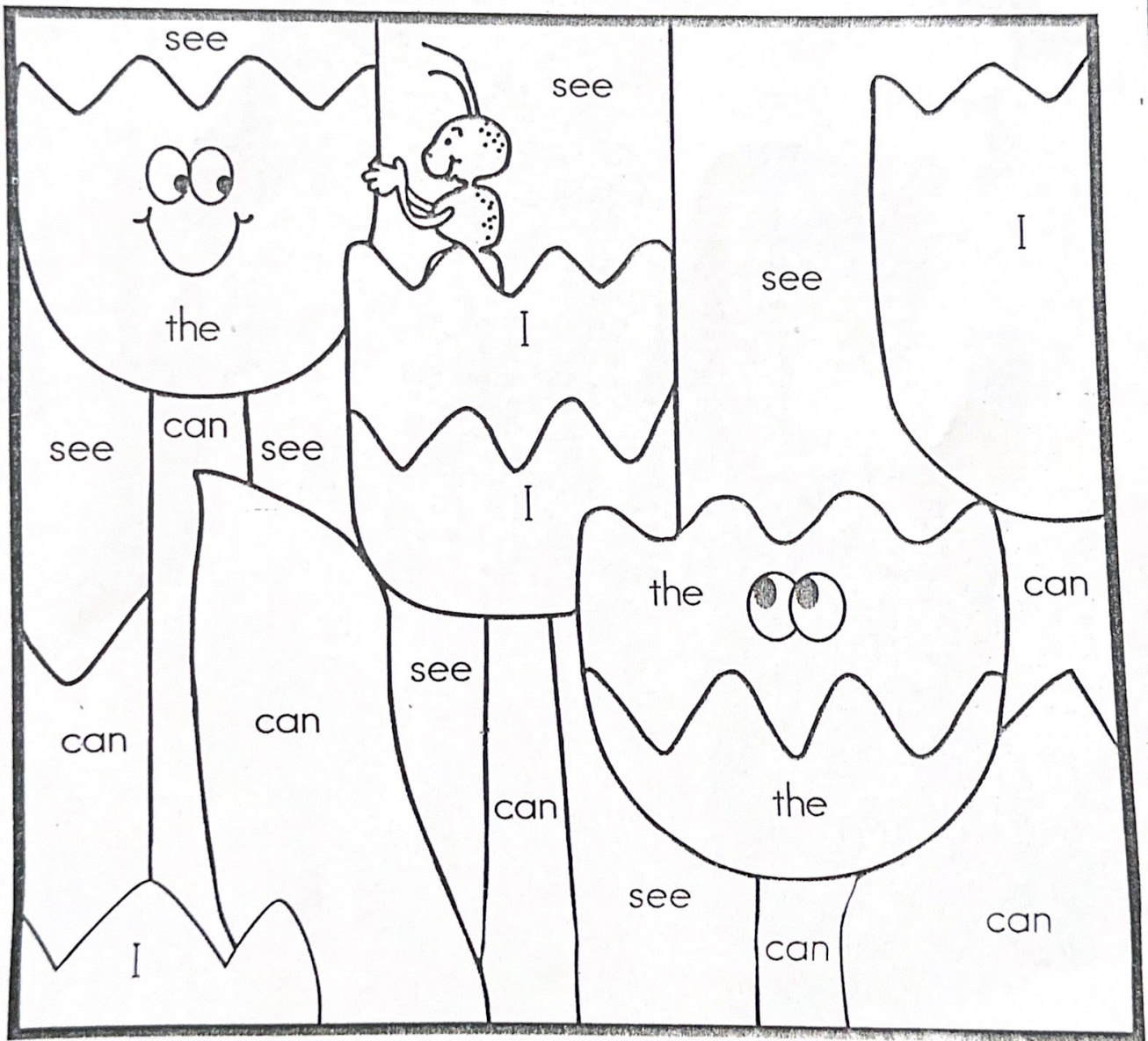
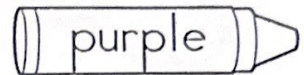
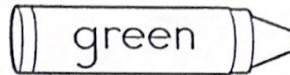
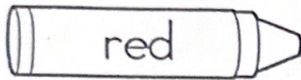
Flower Power
Sight words

Totally Tulips!

Read the words.

 Color by the code.

I the can see



Bonus Box: On the back of your paper, write a sentence using these words.